

顶部母线系统

Top bus-bar system

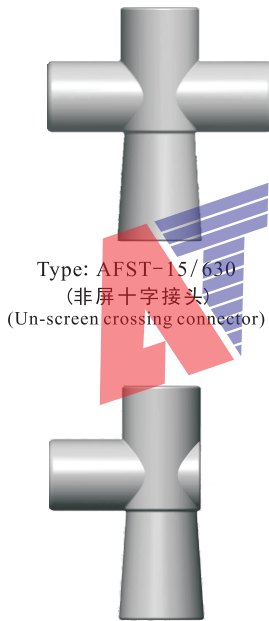
非屏蔽母线系统

非屏蔽十字接头、丁字接头适用于开关柜。与负荷开关标准插座匹配，也用于带开关分支箱中。

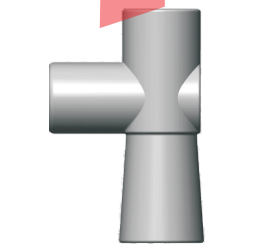
对负荷开关实现了全密封、全绝缘连接。完全避免了高压裸露在恶劣天气下所带来的致命缺陷。用非屏蔽十字接头、丁字接头母线系统组合成的环网柜造价低、可靠性高。

Un-screen bus-bar system

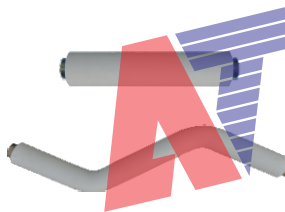
1. Un-screened crossing connector and bus-bar connector are applicable to ABB, SIEMENS, Driescher, etc brand. the switchgear cabinet. Matched with standard socket of the load break, also used for branch unit with switch.
2. Fully-sealed and full-insulated connection for the load switch, avoid the critical defects caused by exposed on high voltage.
3. Has high reliability and low investment.



Type: AFST-15/630
(非屏十字接头)
(Un-screen crossing connector)



Type: AFDT-15/630
(非屏丁字接头)
(Un-screen bus-bar connector)

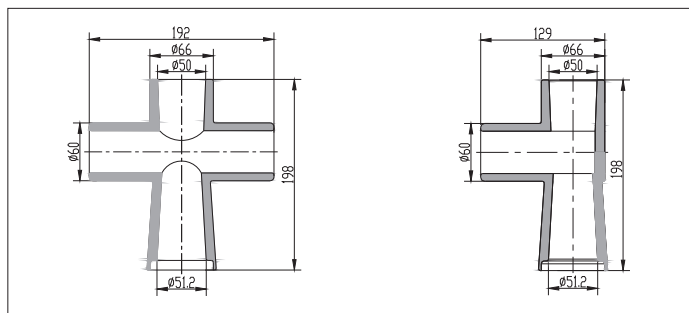
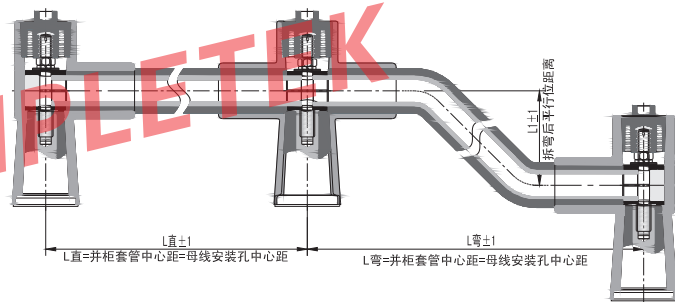


Type: A(W) GM-15/630
(非屏蔽母线)
(Un-screen bus-bar)

直母线和弯母线与非屏蔽十字接头、丁字接头组合，安装在开关的插座上。可实现多台负荷开关的串接，可以多方位装配、节约空间。是组合型环网柜的优选方案。

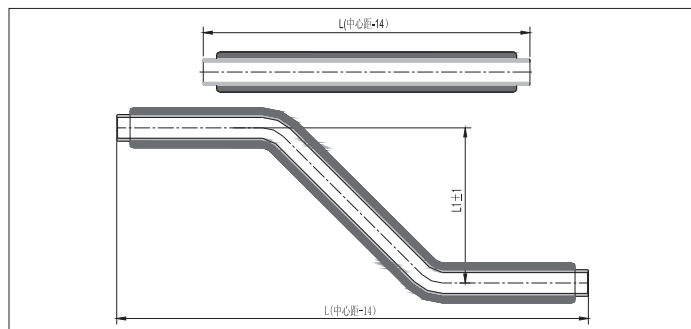
非屏蔽十字接头、丁字接头配套的直母线和弯母线长度可根据客户要求任意定制。

1. The straight and bend bus-bar combined with un-screened crossing connector, bus-bar connector and installed on the socket of the switch.
2. It can assembled by any position and save more zone, and also can realize tandem connection for several sets of the load switch. It is a perfect option for combined type ring main unit.
3. The length of the straight and bend bus-bar can according to the customer's requirement.



(非屏十字接头)
(Un-screen crossing connector)

(非屏丁字接头)
(Un-screen bus-bar connector)



(注：实际长度可根据客户要求定制)
(Not: the virtual length call be decided by customers' request)