

## 15kV | 肘型/直插连接器 Elbow/straight connector

肘型连接器、直插连接器用于环网柜变压器出线单元，额定电流250A，适用于8.7/15kV、12/20kV交联电缆，使用电缆截面25~150mm<sup>2</sup>。有特制防松脱结构，实现了弹性压紧。



Type: AZT-15/250/□  
(肘型连接器 Elbow connector)



Type: AZC-15/250/□  
(直插连接器 Straight connector)

1. Elbow connector and straight connector are suitable for the out line of ring main unit and transformer.
2. Rated current is 250A.
3. Apply to 8.7/15kV, 12/20kV XLPE cable, and conductive cross section is 25~150mm<sup>2</sup>.
4. Special fixing structure makes the spring compress come true.

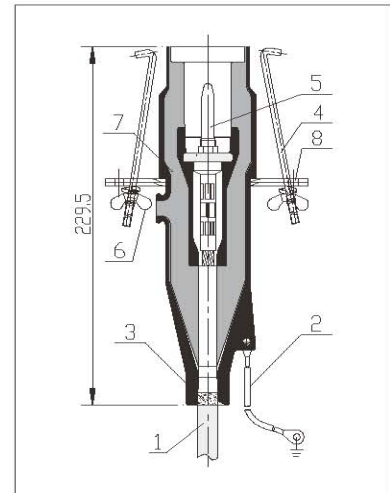
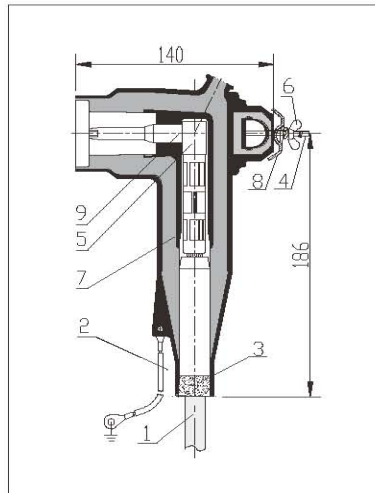
### 产品特点

为全绝缘、全密封、全屏蔽产品。防松脱压紧装置保证了其使用的可靠性，相对于其它配置，结构尺寸更紧凑。

### Characteristics

1. Fully-insulated, fully-submersible and fully-screened.
2. The compress device guarantees the reliable using.
3. Compared with other device, the structure dimension is more compact.

- 1、电缆 Cable
- 2、接地线 Earthing wire
- 3、半导体层  
Semi-conductive tape
- 4、异形螺栓 Bolt
- 5、端子 Compression lug
- 6、螺母 Nut
- 7、肘型/直插连接器  
Elbow/straight connector body
- 8、压板 Compression board
- 9、导电杆 Linking rod



## 15kV | SL-250A连接头 SL-250A connecting plug

SL-250A连接头适用于15kV电网系统，用于环网柜侧面连接，转换为标准250A出线接口，一体式设计。



Type: SL-15/250A  
(SL-250A 连接头 Connecting head)

1. SL-250A connecting head is suitable for charged barbed wire net system.
2. Used to connect the flank side of the ring main unit, change into the standard 250A outline connect ports, integral whole type design.